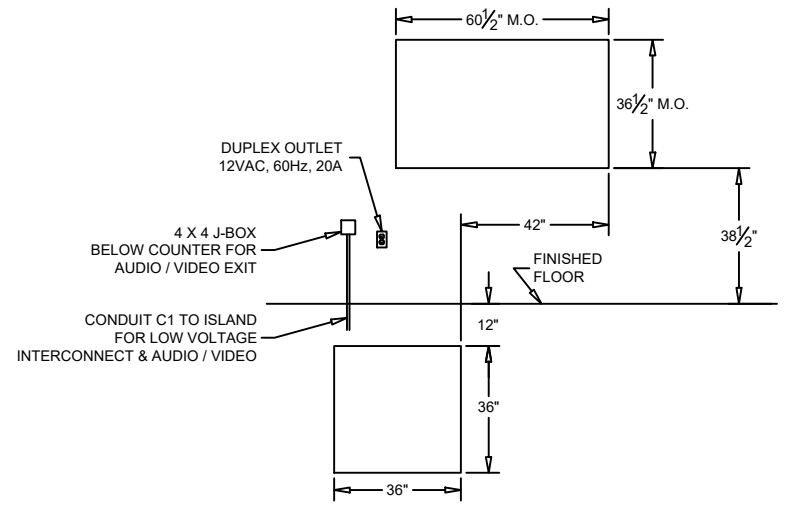
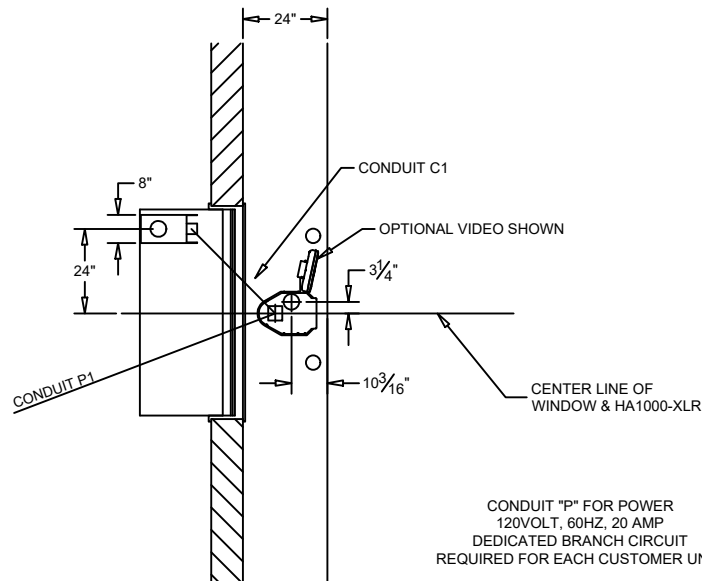


SECTION



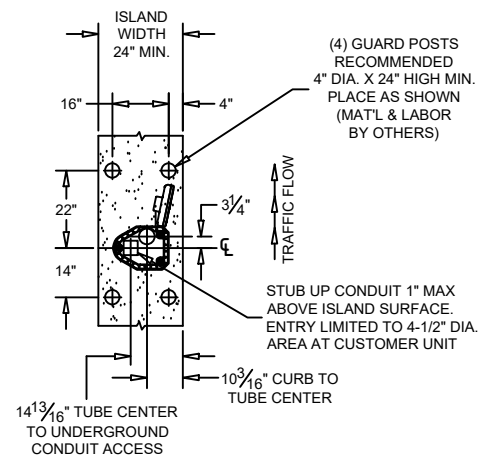
MASONRY DETAIL  
(FOR MODEL 035V U.L. WINDOW)



PLAN

NOTE: CONDUIT "P" TO BUILDING POWER PANEL  
CONDUIT "C" TO JUNCTION BOX BELOW COUNTER  
AND EXTENDED ABOVE CEILING TO TELLER AREA

CONDUIT "P" FOR POWER  
120VOLT, 60HZ, 20 AMP  
DEDICATED BRANCH CIRCUIT  
REQUIRED FOR EACH CUSTOMER UNIT.



ISLAND DETAIL

ADDITIONAL DRAWINGS TO REFERENCE:  
95-699, 99-349, & 99-1160

est. 1967 <b>HAMILTON</b> CUSTOM MADE SECURITY	PROPRIETARY AND CONFIDENTIAL THESE DRAWINGS ARE THE PROPERTY OF HAMILTON SAFE CO. AND SHALL NOT BE REPRODUCED, COPIED, USED AS THE BASIS FOR MANUFACTURE OR SALE OF APPARATUS WITHOUT PERMISSION		DESCRIPTION PNEUMATIC TUBE SYSTEMS MODEL HA1000-XLRD '101' SYSTEM - UNDERGROUND TUBING
	DRAWING/MODEL NUMBER 99-1162	DATE 10/8/2021	